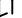



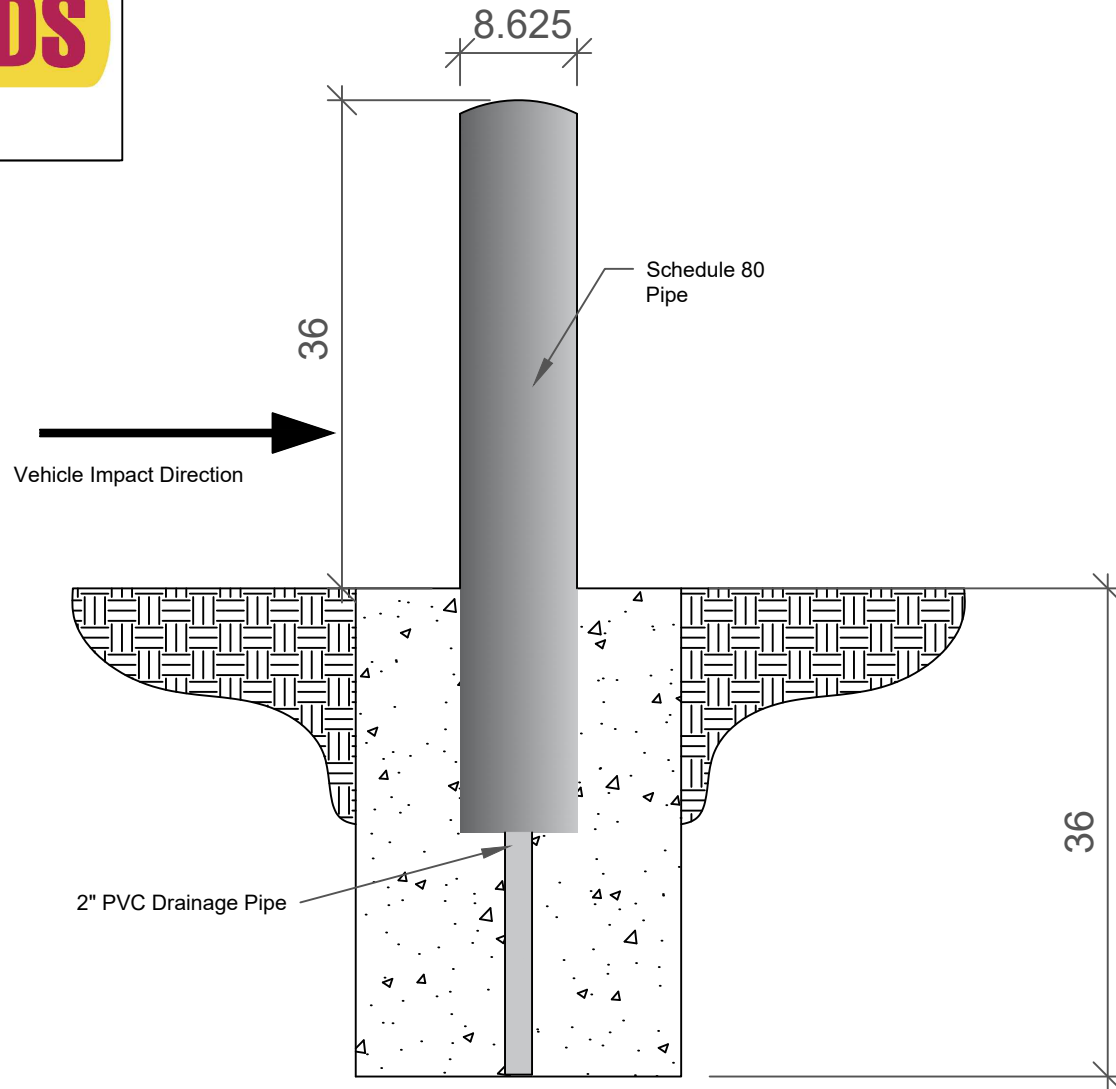


1-800-BOLLARDS

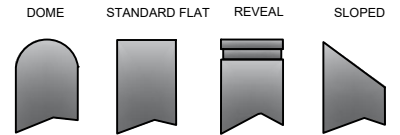
The Bollard Experts

- SELECT DESIRED MATERIAL:
(8" NOMINAL SIZE)
 - FCSC T08080 SCH 80 ASTM A-53 CARBON STEEL
 - FCSC T08080 SCH 80 SATAINLESS STEEL
- SELECT DESIRED STAINLESS STEEL BOLLARD FINISH:
 - POLISHED #4 FINISH
 - AS SPECIFIED _____
- SELECT DESIRED CARBON STEEL BOLLARD FINISH:
 - POWDER COAT RAL # _____
 - AS SPECIFIED _____
- SELECT DESIRED STAINLESS STEEL BOLLARD MATERIAL:
 - TYPE 304
 - TYPE 316
- SELECT DESIRED BOLLARD CAP STYLE:
 -  DOME
 -  STANDARD FLAT
 -  REVEAL
 -  SLOPED



REVISIONS			
LTR	DESCRIPTION	DATE	APPV'D
COMMENTS			
SPECIFICATIONS			
HEIGHT: 36"			
DIAMETER: 8.625"			
WALL THICKNESS: 0.500"			

END VIEW-FOUNDATION



NOTES:
 1. INSTALLATION TO BE COMPLETED IN ACCORDANCE WITH MANUFACTURER'S SPECIFICATIONS.
 2. DO NOT SCALE DRAWING.
 3. THIS DRAWING IS INTENDED FOR USE BY ARCHITECTS, ENGINEERS, CONTRACTORS, CONSULTANTS AND DESIGN PROFESSIONALS FOR PLANNING AND INSTALLATION PURPOSES.
 4. ALL INFORMATION CONTAINED HEREIN WAS CURRENT AT THE TIME OF DEVELOPMENT BUT MUST BE REVIEWED AND APPROVED BY THE PRODUCT MANUFACTURER TO BE CONSIDERED ACCURATE.

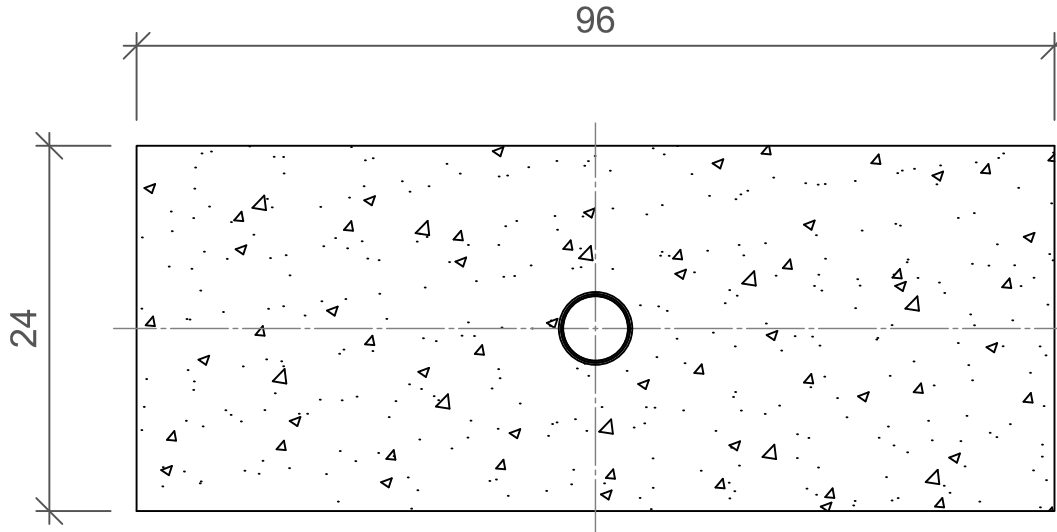
APPLICATION		SERIES NUMBER: XX-S060-XX		CAGE CODE: 6NGJ8		REV: 8" CT FIXED	
NEXT ASSY	USED ON	PRODUCT FAMILY:	STANDARD OR CUSTOMER DEFINED	DRAWN BY:	AJA	DRAWING REV.:	SHEET: 1 OF 1
		PRODUCT CLASS:	BOLLARD	CHECKED BY:		APPROVED BY:	
		PRODUCT LINE:	FIXED	RELEASE DATE:		TITLE	
		PRODUCT SUB LINE:		1-800-BOLLARDS, Inc. 10 Hughes Suite A105 Irvine, CA 92618 PHONE: 1-800-BOLLARDS WEB: WWW.1800BOLLARDS.COM EMAIL: INFO@1800BOLLARDS.COM			
				BOLLARD, CT FIXED			

1-800-BOLLARDS

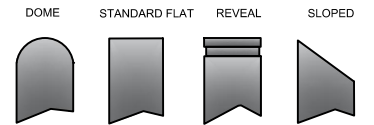
The Bollard Experts

- SELECT DESIRED MATERIAL:
(8" NOMINAL SIZE)
 - FCSC08080 SCH 80 ASTM A-53 CARBON STEEL
 - FCSC08080 SCH 80 SATAINLESS STEEL
- SELECT DESIRED STAINLESS STEEL BOLLARD FINISH:
 - POLISHED #4 FINISH
 - AS SPECIFIED _____
- SELECT DESIRED CARBON STEEL BOLLARD FINISH:
 - POWDER COAT RAL # _____
 - AS SPECIFIED _____
- SELECT DESIRED STAINLESS STEEL BOLLARD MATERIAL:
 - TYPE 304
 - TYPE 316
- SELECT DESIRED BOLLARD CAP STYLE:
 - DOME
 - STANDARD FLAT
 - REVEAL
 - SLOPED

REVISIONS			
LTR	DESCRIPTION	DATE	APP
COMMENTS			
SPECIFICATIONS			
HEIGHT: 36"			
DIAMETER: 8.625"			
WALL THICKNESS: 0.500"			



PLAN VIEW-FOUNDATION



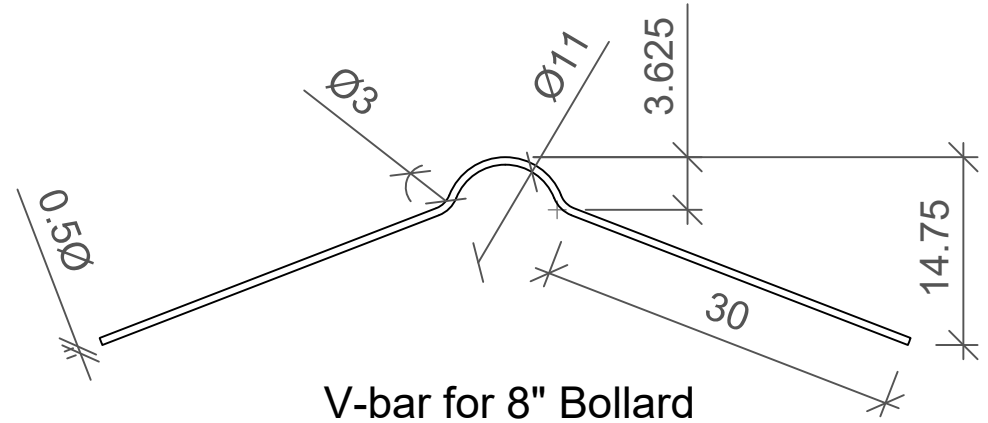
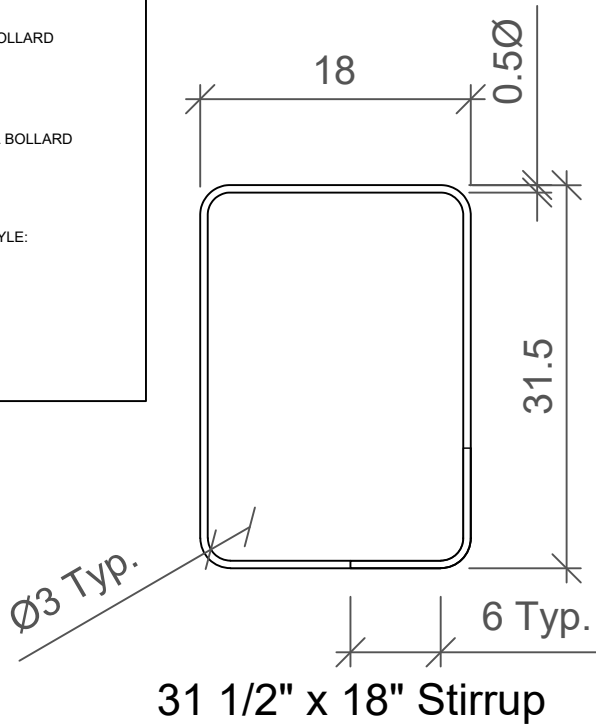
NOTES:
 1. INSTALLATION TO BE COMPLETED IN ACCORDANCE WITH MANUFACTURER'S SPECIFICATIONS.
 2. DO NOT SCALE DRAWINGS.
 3. THIS DRAWING IS INTENDED FOR USE BY ARCHITECTS, ENGINEERS, CONTRACTORS, CONSULTANTS AND DESIGN PROFESSIONALS FOR PLANNING AND INSTALLATION PURPOSES.
 4. ALL INFORMATION CONTAINED HEREIN WAS CURRENT AT THE TIME OF DEVELOPMENT BUT MUST BE REVIEWED AND APPROVED BY THE PRODUCT MANUFACTURER TO BE CONSIDERED ACCURATE.

APPLICATION		SERIES NUMBER	SIZE CODE	USE	DRAWING NUMBER
NEXT ASBY	USED ON	XX-S060-XX	GNOJ9		8' CT FIXED
		PRODUCT FAMILY: 30 MPH CRASH TESTED			
		PRODUCT CLASS: STANDARD OR CUSTOMER DEFINED			
		PRODUCT LING: BOLLARD		DRAWN BY: AJA	DRAWING REV: SHEET 1 OF 1
		PRODUCT SUB LING: FIXED		CHECKED BY:	APPROVED BY:
		1-800-BOLLARDS, Inc. 10 Hughes Suite 1100 Irvine, CA 92618		TITLE: BOLLARD, CT FIXED	
		PHONE: 1-800-BOLLARDS WEB: WWW.1800BOLLARDS.COM EMAIL: INFO@1800BOLLARDS.COM			

1-800-BOLLARDS

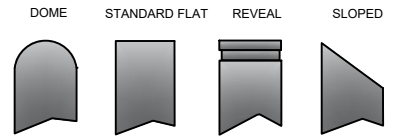
The Bollard Experts

- SELECT DESIRED MATERIAL:
(8" NOMINAL SIZE)
 - FCSC08080 SCH 80 ASTM A-53 CARBON STEEL
 - FCSC08080 SCH 80 SATAINLESS STEEL
- SELECT DESIRED STAINLESS STEEL BOLLARD FINISH:
 - POLISHED #4 FINISH
 - AS SPECIFIED _____
- SELECT DESIRED CARBON STEEL BOLLARD FINISH:
 - POWDER COAT RAL # _____
 - AS SPECIFIED _____
- SELECT DESIRED STAINLESS STEEL BOLLARD MATERIAL:
 - TYPE 304
 - TYPE 316
- SELECT DESIRED BOLLARD CAP STYLE:
 - DOME
 - STANDARD FLAT
 - REVEAL
 - SLOPED



REVISIONS			
LTR	DESCRIPTION	DATE	APPVD
COMMENTS			

SPECIFICATIONS
HEIGHT: 36"
DIAMETER: 8.625"
WALL THICKNESS: 0.500"



NOTES:
 1. INSTALLATION TO BE COMPLETED IN ACCORDANCE WITH MANUFACTURER'S SPECIFICATIONS.
 2. DO NOT SCALE DRAWING.
 3. THIS DRAWING IS INTENDED FOR USE BY ARCHITECTS, ENGINEERS, CONTRACTORS, CONSULTANTS AND DESIGN PROFESSIONALS FOR PLANNING AND INSTALLATION PURPOSES.
 4. ALL INFORMATION CONTAINED HEREIN WAS CURRENT AT THE TIME OF DEVELOPMENT BUT MUST BE REVIEWED AND APPROVED BY THE PRODUCT MANUFACTURER TO BE CONSIDERED ACCURATE.

APPLICATION		SERIES NUMBER:	CAGE CODE	SIZE	DRAWING NUMBER:
NEXT ASSY	USED IN	XX-S060-XX	6NGJ8	8"	8" CT FIXED
		PRODUCT FAMILY:			
		30 MPH CRASH TESTED			
		PRODUCT CLASS:			
		STANDARD OR CUSTOMER DEFINED			
		PRODUCT LINE:			
		BOLLARD			
		PRODUCT SUB LINE:			
		FIXED			
		1-800-BOLLARDS, Inc.			
		10 Hughes Sutte AlOIS			
		Irwin, CA 90610			
		PHONE: 1-800-BOLLARDS			
		WEB: WWW.1800BOLLARDS.COM			
		EMAIL: INFO@1800BOLLARDS.COM			
		TITLE:			
		BOLLARD, CT FIXED			